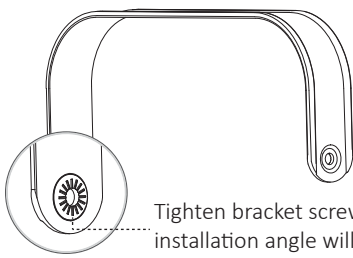


**IMPORTANT SAFEGUARDS**

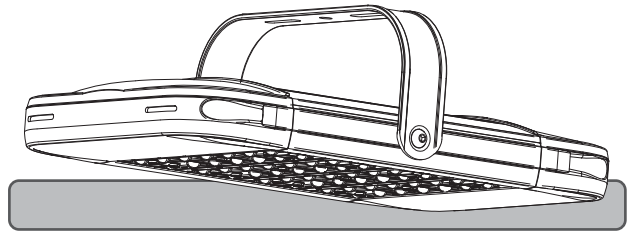
When using electrical equipment, basic safety precautions should always be followed including the following:

**READ AND FOLLOW ALL SAFETY INSTRUCTIONS**

1. To avoid the possibility of electrical shock, turn off power supply before installation or servicing. Installation and servicing should be performed by qualified personnel.
2. Product must be installed in accordance with your local electrical code. If you are not familiar with these codes and requirements, consult a qualified electrician.
3. Do not change the structure or any components of the fixture to ensure safety.
4. Lock the installation angle after luminaire installed. As following figure.



Tighten bracket screws on both sides, luminaire installation angle will be fixed by the lock gear.

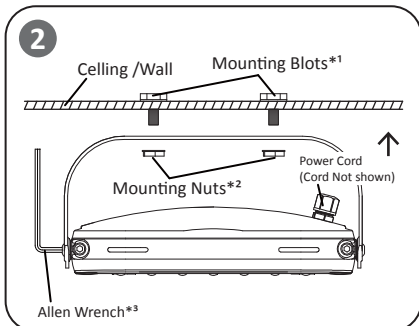
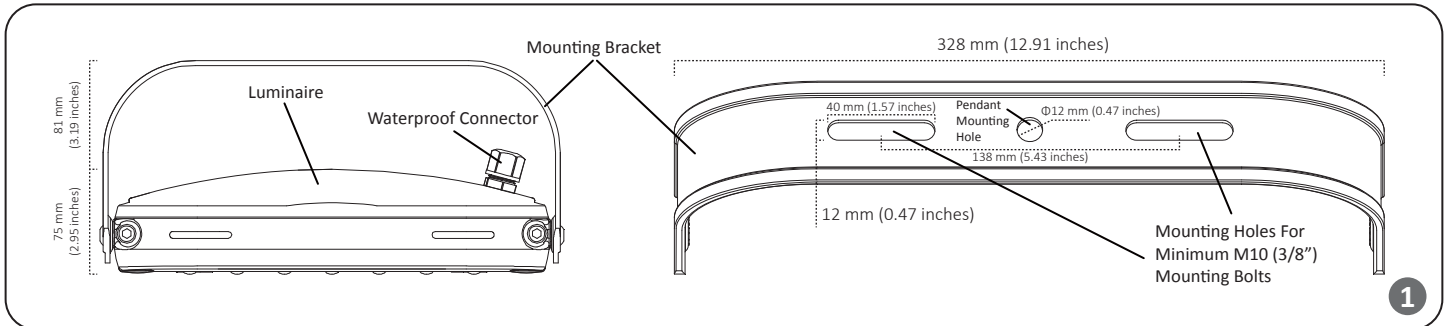


100-240V/277V AC, 50/60Hz, Suitable for Wet Locations (IP65), Class I  
\*This product must be grounding

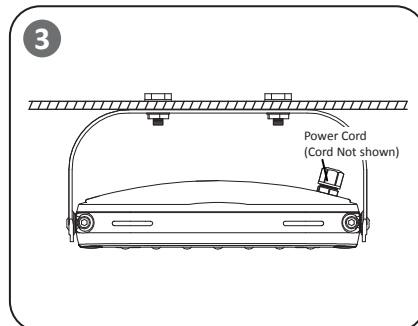
Model No.	Power	Dimension	Weight
ZGSM-GCD40H	40W	293 x340 x156 mm /11.5 x13.4 x6.1"	3.1 kg /6.8 lbs
ZGSM-GCD80H	80W	366 x340 x156 mm /14.4 x13.4 x6.1"	4.3 kg /9.5 lbs
ZGSM-GCD120H	120W	439 x340 x156 mm /19.4 x13.4 x6.1"	5.2 kg /11.5 lbs
ZGSM-GCD160H	160W	512 x340 x156 mm /20.2 x13.4 x6.1"	6.0 kg /13.2 lbs
ZGSM-GCD200H	200W	585 x340 x156 mm /23.0 x13.4 x6.1"	7.0 kg /15.4 lbs
ZGSM-GCD240H	240W	658 x340 x156 mm /26.0 x13.4 x6.1"	7.8 kg /17.2 lbs

**SAVE THIS INSTRUCTIONS FOR FUTURE REFERENCE**

**TO INSTALL:**



\*1 Minimum M10 (3/8") Bolts (not-provided)  
\*2 Mounting Nuts are not provided  
\*3 Allen Wrench: 8mm (5/16")



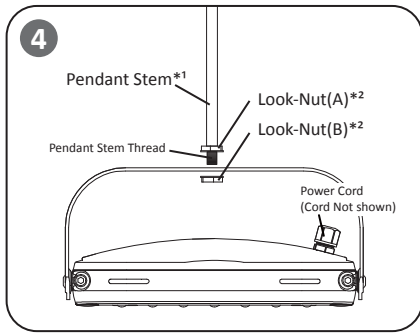
**DIRECT MOUNTING**

**STEP 1:**  
Assemble the mounting bracket to the fixture by provided M10 (3/8") round head screws.

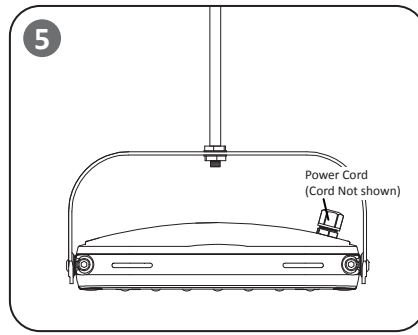
**STEP 2:**  
Mount the fixture by TWO(2) minimum M10 (3/8") bolts. See **Figure 2**.

**STEP 3:**  
Loosen the mounting bracket screws, adjust the fixture to desire position, re-secure the screws.

**STEP 4:**  
Connect the **Power Cord** to the supply wiring per "**Electrical Connections**" section for completing electrical connections.



\*1 Pendant Stem can not be the soft material (not-provided)  
\*2 Look Nuts are not provided



## PENDANT MOUNTING

### STEP 1:

Assemble the mounting bracket to the fixture by provided M10 (3/8") round head screws.

### STEP 2:

Attach Lock-Nut(A) to the bottom of the Pendant Stem. Attach Lock-Nut(B) by holding the interjacent Fixture Bracket and tightening Lock-Nut(B) until secure. See **Figure 4**.

### STEP 3:

Loosen the mounting bracket screws, adjust the fixture to desire position, re-secure the screws.

### STEP 4:

Connect the **Power Cord** to the supply wiring per "**Electrical Connections**" section for completing electrical connections.

## IMPORTANT

Check whether it concerns an AC(Alternating Current) based system - 100-240V/277V AC, 50/60Hz.

## ELECTRICAL CONNECTIONS - 100-240V/277V AC, 50/60Hz

### PHASE TO NEUTRAL WIRING

## AC BASED

#### STEP 1:

Make the following Electrical Connections:

- Connect **INPUT GROUND** conductor to **GREEN WIRE** position of the terminal block or GROUND conductor of LED driver.
- Connect **INPUT VOLTAGE** conductor to **BROWN WIRE** position of the terminal block or LINE conductor of LED driver.
- Connect **INPUT NEUTRAL** conductor to **BLUE WIRE** position of the terminal block or NEUTRAL conductor of LED driver.

#### STEP 2:

Make sure all excess input wires are pushed into pole, screws are tightened.

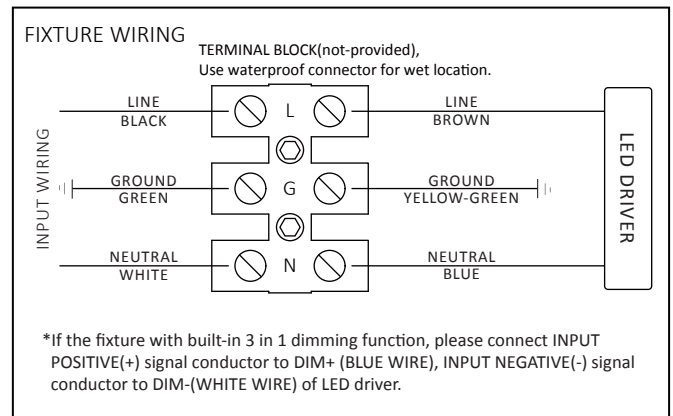
#### STEP 3:

Close cover by firmly pushing cover towards fixture, making sure that no wires are pinched and Sealing gasket are fully engaged.

#### STEP 4:

If the fixture without a terminal block, please insulate all electrical connections with wire nuts suitable for at least 90°C

Input cable should be at least H05RN-F 3x1.0mm<sup>2</sup>(SJTW 18AWG) or outdoor grade cable with rubber sheathed(not supplied). The cable must have a minimum cross sectional area of 1.0mm<sup>2</sup>(18AWG).



This marking indicates that this product should not be disposed with other household wastes throughout the EU. To prevent possible harm to the environment or human health from uncontrolled waste disposal, recycle it responsibly to promote the sustainable reuse of material resources. To return your used device, please use the return and collection systems or contact the retailer where the product was purchased. They can take this product for environmental safe recycling.